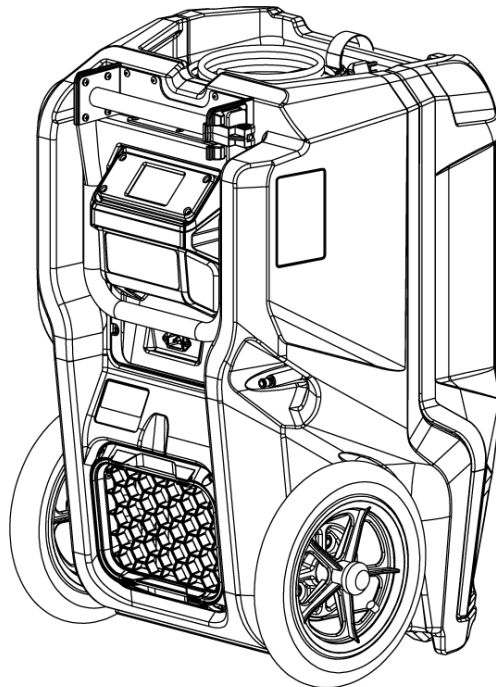
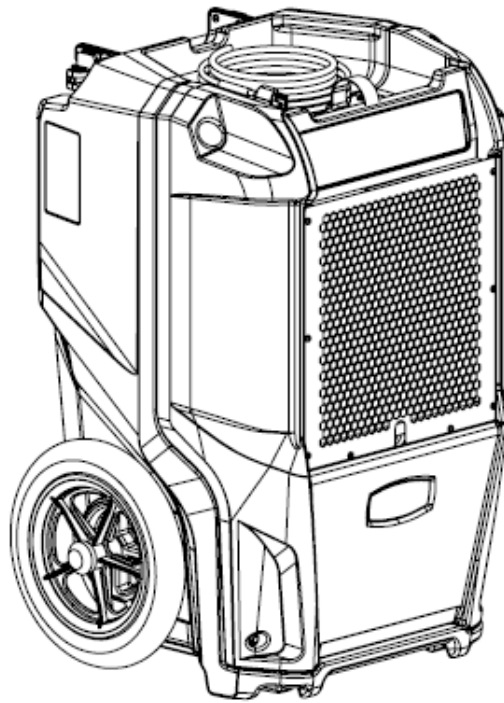
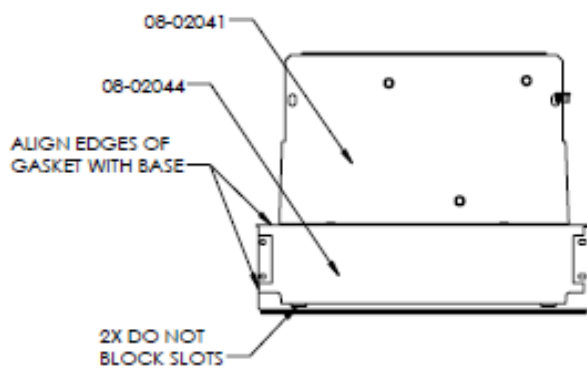
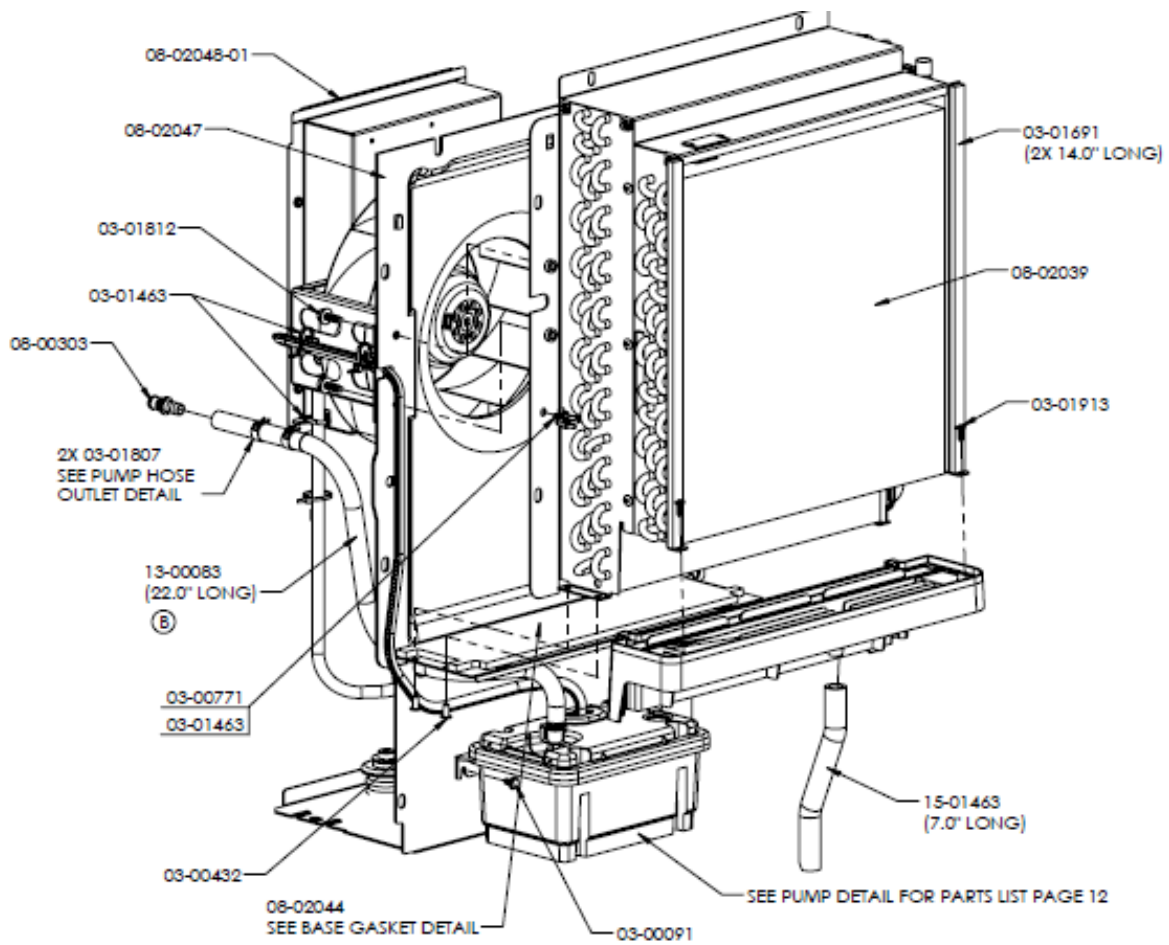


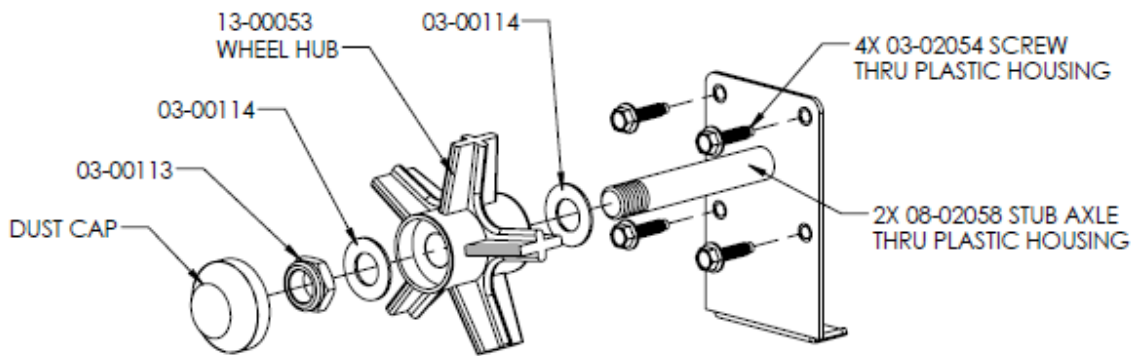
F600 115V PARTS LIST





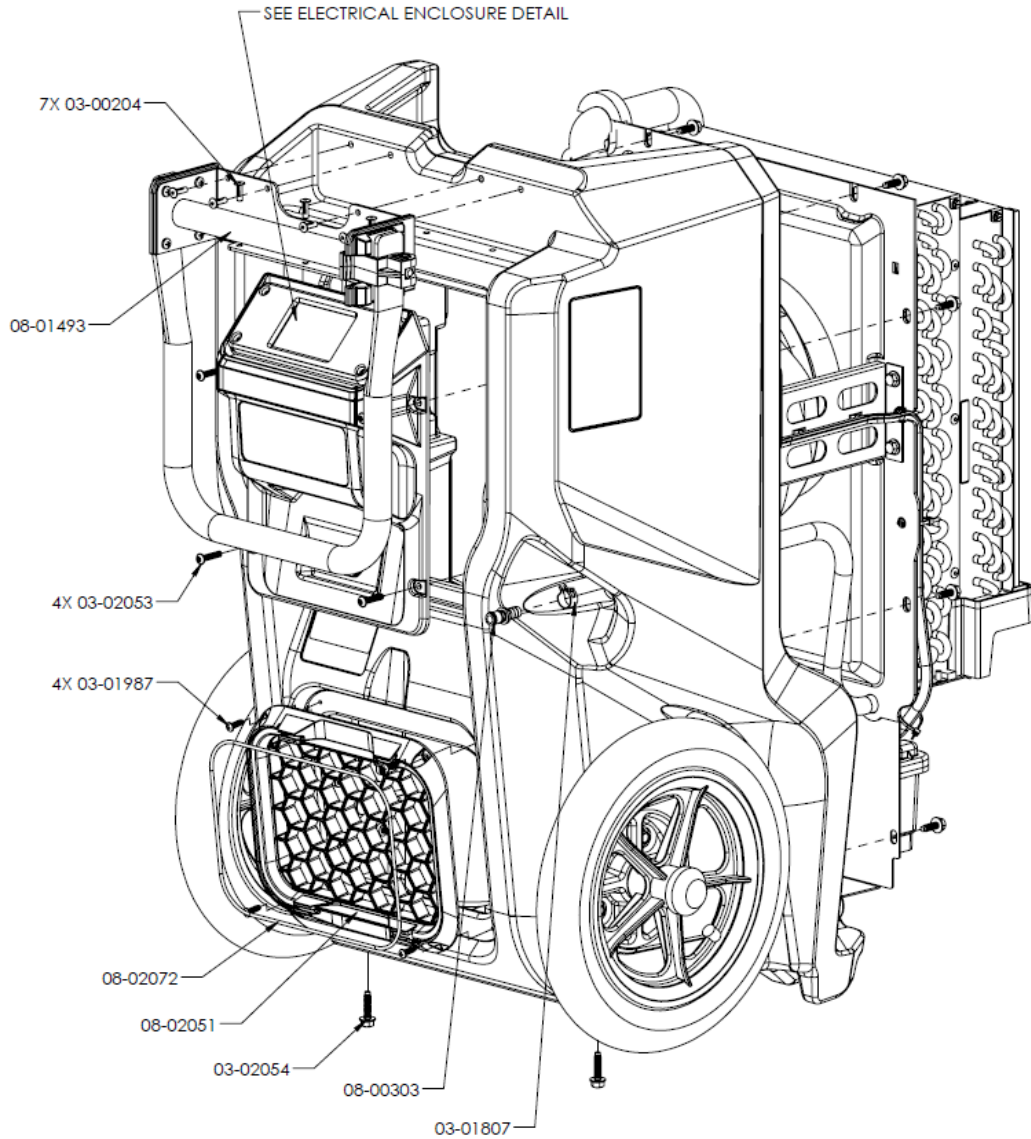
BASE GASKET DETAIL

PART NO.	QTY	DESCRIPTION
03-00091	2	SCREW - #10-24 X 3/8 SER HWH ZP
03-00432	4	RIVET - 3/16 X 1/4 STL/STL BLK
03-00771	1	PUSH MOUNT - NYLON TIE
03-01463	1	CABLE TIE - 6 NYLON
03-01807	1	CLAMP - HOSE 5/8 DIA SPRING ZP
03-01812	4	SCREW - M6 X 18MM SER HWH NYLOC XYP MATPOINT
03-01913	2	SCREW - #8 X 1/2 PH TRUSS SS
08-00303	1	FITTING - QUICK DISCONNECT INSERT 3/8 BARB
08-02039	1	COIL ASSY - EVAP/COND R410A LGR 6000Li
08-02041	1	BASE - GALV STL LGR 6000Li
08-02044	1	GASKET - CONDENSER BASE PVC PSA LGR 6000Li
08-02047	1	SHROUD - IMPELLER ABS BLK LGR 6000Li
08-02048S	1	ELECTRICAL BOX ASSY - 115V LGR 6000Li
13-00083	24"	TUBING - 3/8 ID X 5/8 OD BRAIDED PVC
15-01463	4"	TUBE - 1/2 ID X 3/4 OD PVC CLEAR

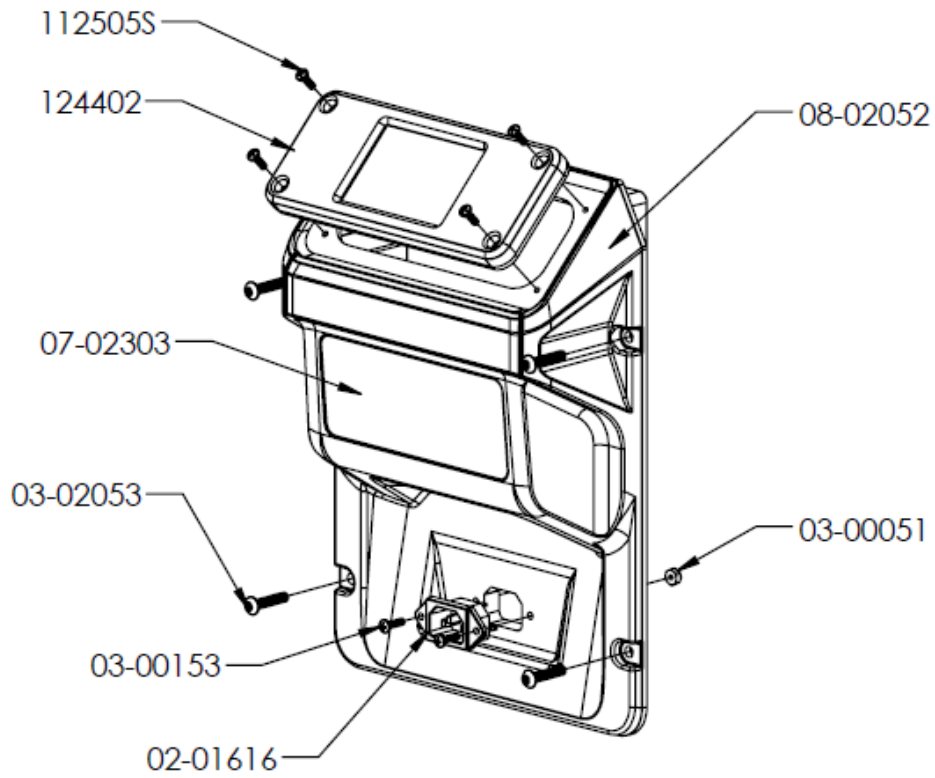


STUB AXLE ASSEMBLY DETAIL (NTS)

PART NO.	QTY	DESCRIPTION
03-00113	2	NUT - 5/8-11 UNC THIN ZP NYLOC
03-00114	4	WASHER - 5/8 AN .63 ID X 1.187 OD X .06 SS
03-02054	4	SCREW - M6 X 1.0 X 25MM HWH NYLOC XYP MATPOINT (4 08-02058)
08-02058	2	AXLE ASSY - STUB .63OD ZP STL
13-00053	2	WHEEL - 12 X 2 X 5/8 BORE GRY (DUST CAP COMES WITH WHEEL)

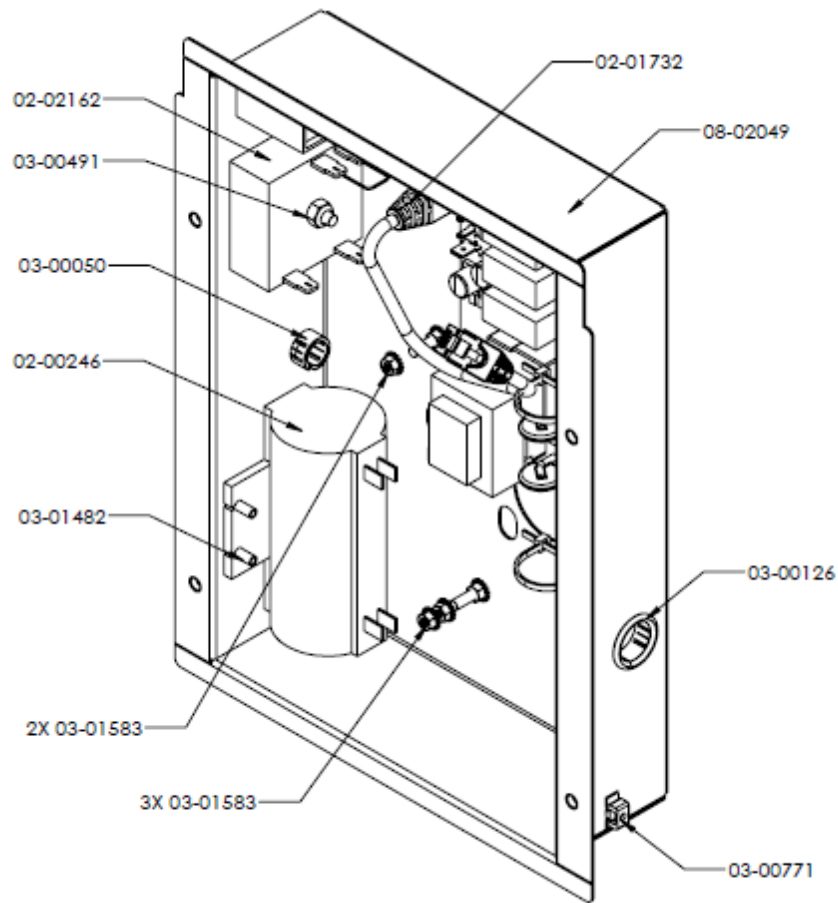


PART NO.	QTY	DESCRIPTION
03-00204	7	RIVET - 3/16 X 5/8 TRI FOLD AL/AL
03-01807	1	CLAMP - HOSE 5/8 DIA SPRING ZP
03-01987	4	SCREW - #10 X 5/8 HIGH LOW PHP BLK
03-02054	2	SCREW - M6 X 1.0 X 25MM HWH NYLOC MATPOINT XYP BLK
07-01672	1	LABEL - WARNING (NOT CALLED OUT)
08-00303	1	FITTING - QUICK DISCONNECT INSERT 3/8 BARB
08-01493	1	HANDLE ASSY - EVOLUTION
08-02051	1	GRILL - OUTLET ABS BLK LGR 6000Li
08-02054-09S	1	BACK PANEL - POLYETHYLENE
08-02072	1	RING - DUCT ATTACHMENT ZP LGR 6000Li

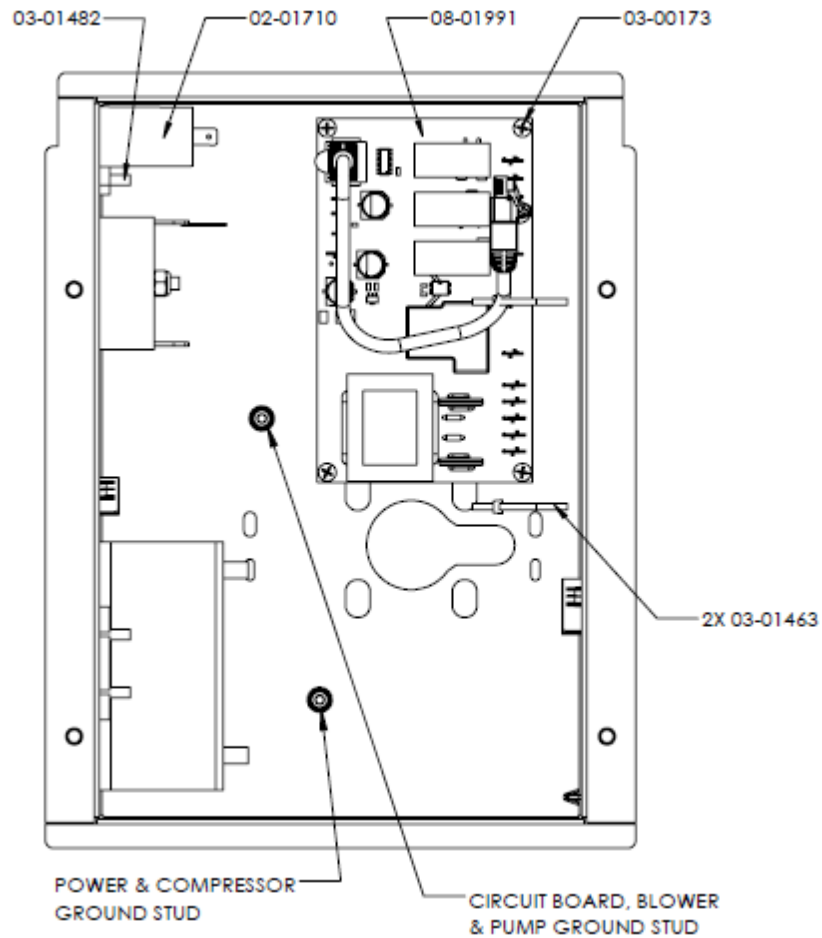


ELECTRICAL ENCLOSURE DETAIL

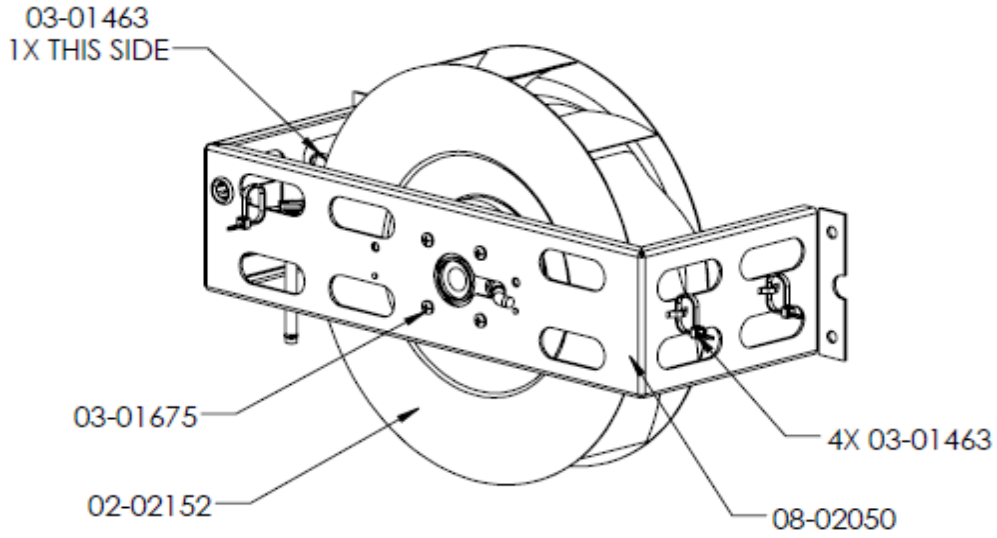
PART NO.	QTY	DESCRIPTION
02-01616	1	RECEPTACLE – INLET IEC 320 W/ MTG EARS
03-00051	2	NUT - #6-32 NYLOC THIN ZP
03-00153	2	SCREW - #6-32 X 1/2 PHP ZP
112505S	4	SCREW - #6 X 1/2 HI LOW PHP ZP BLK
03-02053	4	SCREW – M5 X .08 X 25MM BH TORX ZP BLK
07-02303	1	LABEL – OPERATING INSTRUCTIONS DEHUS
124402	1	KIT – COMMAND HUB
08-02052	1	ENCLOSURE – ELECTRICAL BOX COVER ABS LGR 6000Li



PART NO.	QTY	DESCRIPTION
02-00246	1	CAPACITOR – 35MFD 370 V
02-01732	1	CABLE ASSY – BLUE PATCH CAR 5E 1FT
02-02162	1	SPEED CONTROLLER – 120V 50/60 HZ LGR 6000Li
03-00050	1	BUSHING - .390 ID X .562 OD X .406 SPLIT NYLON BLK
03-00126	1	BUSHING - .671 ID X .875 OD X .41 SPLIT NYLON BLK
03-00491	1	NUT - #10-24 NYLOC ZP
03-00771	1	PUSH MOUNT – NYLON TIE
03-01482	2	RIVET – 5/32 X 3/8 AL/AL BLK ANOD
03-01583	5	NUT - #8-32 W/ STAR WASHER ZP
08-02049	1	ELECTRICAL BOX – GALV STL LGR 6000Li

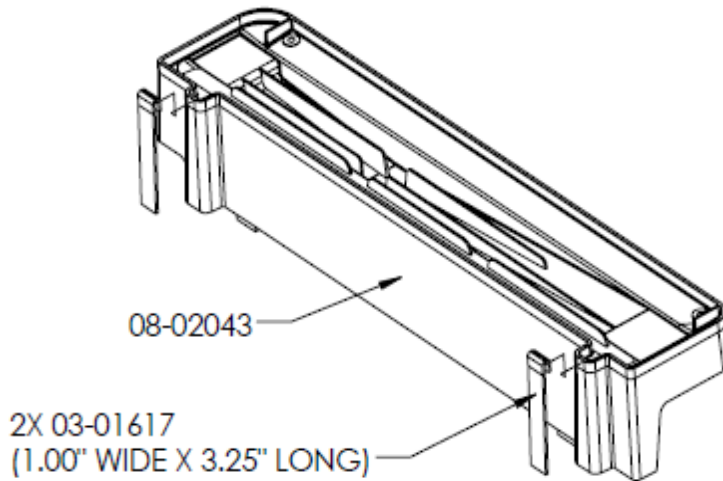


PART NO.	QTY	DESCRIPTION
02-01710	1	CAPACITOR - 6MFD 440V BOX W/MTG BRKT
03-00173	4	SCREW - #6-32 X 3/8 PHIL PH ZP
03-01463	2	CABEL TIE - 6 NYLON
03-01482	1	RIVET - 5/32 X 3/8 AL/AL BLK ANOD
08-01991	1	CIRCUIT BOARD ASSY - 115V HIGH VOLTAGE 2 SP



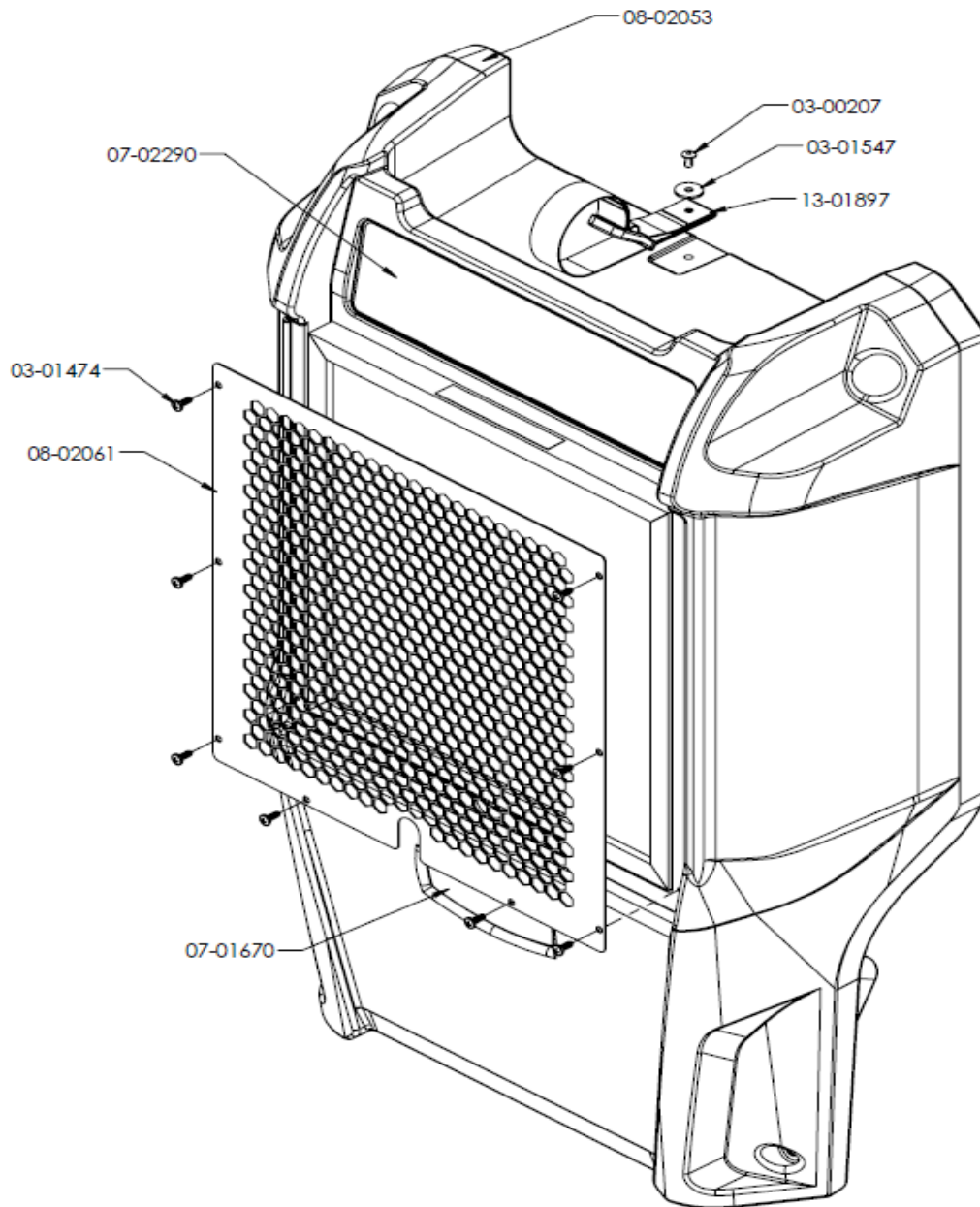
BLOWER ASSEMBLY DETAIL

PART NO.	QTY	DESCRIPTION
02-02152	1	BLOWER ASSY – MOTORIZED IMPELLER 115V 65W 1650 RPM 250MM
03-01463	5	CABLE TIE – 6 NYLON
03-01675	4	SCREW – M4 X 8MM PHP ZP
08-02050	1	BRACKET – MOTORIZED IMPELLER 250MM LGR 6000Li

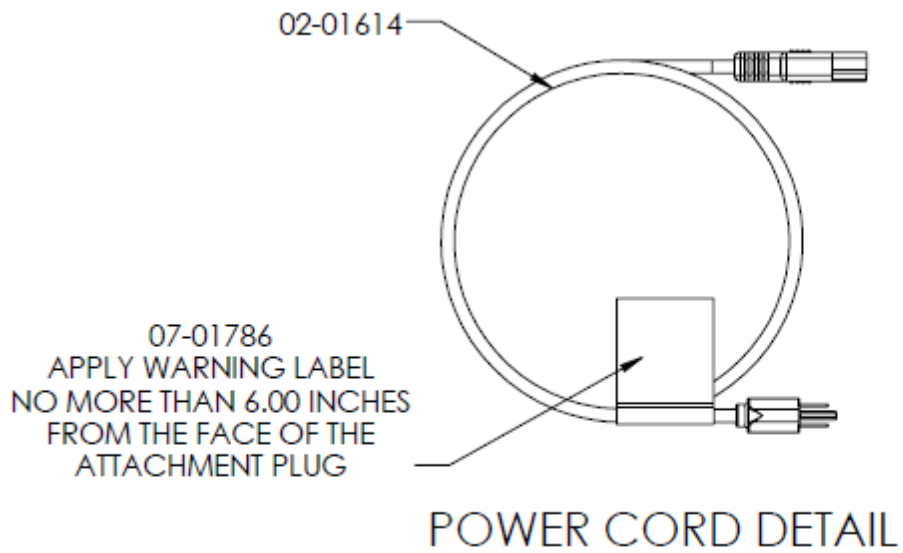


CONDENSATE TRAY DETAIL

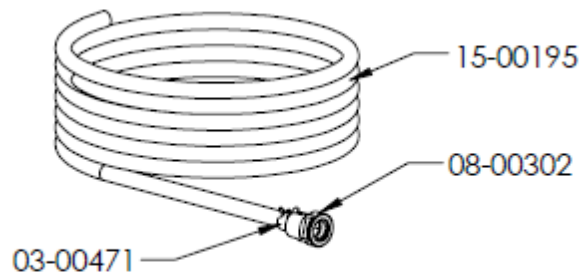
PART NO.	QTY	DESCRIPTION
03-01617	2	GASKET – 2.0 X .125 EPDM PSA
08-02043	1	TRAY – CONDENSATE BASE ABS BLK LGR 6000Li



PART NO.	QTY	DESCRIPTION
03-00207	1	RIVET - 3/16 X3/8 TRI FOLD AL/AL
03-01474	8	SCREW - #8 X 1/2 PHP ZP BLK
03-01547	1	WASHER - FLAT .203 ID X .734 OD X .06 THK ZP
07-01670	1	LABEL - BADGE
07-02290	1	LABEL - PRODUCT LGR 6000Li
08-02053S	1	COVER - POLYETHYLENE FISHER BLUE LGR 6000Li
08-02061	1	FILTER SHROUD - PC WR BLK LGR 6000Li
13-01897	1	STRAP ASSY - POWER CORD WITH G-HOOK

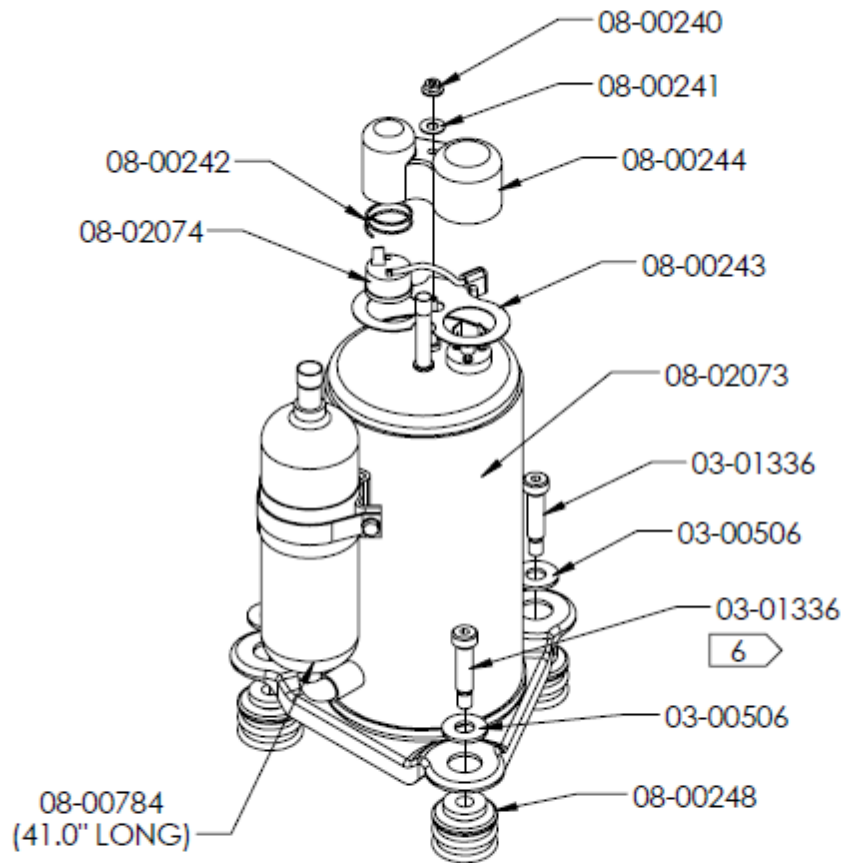


PART NO.	QTY	DESCRIPTION
02-01614	1	POWER CORD ASSY – 14/3 SJT NEMA 5-15P/IEC C13 25FT
07-01786	1	LABEL – WARNING POWER CORD



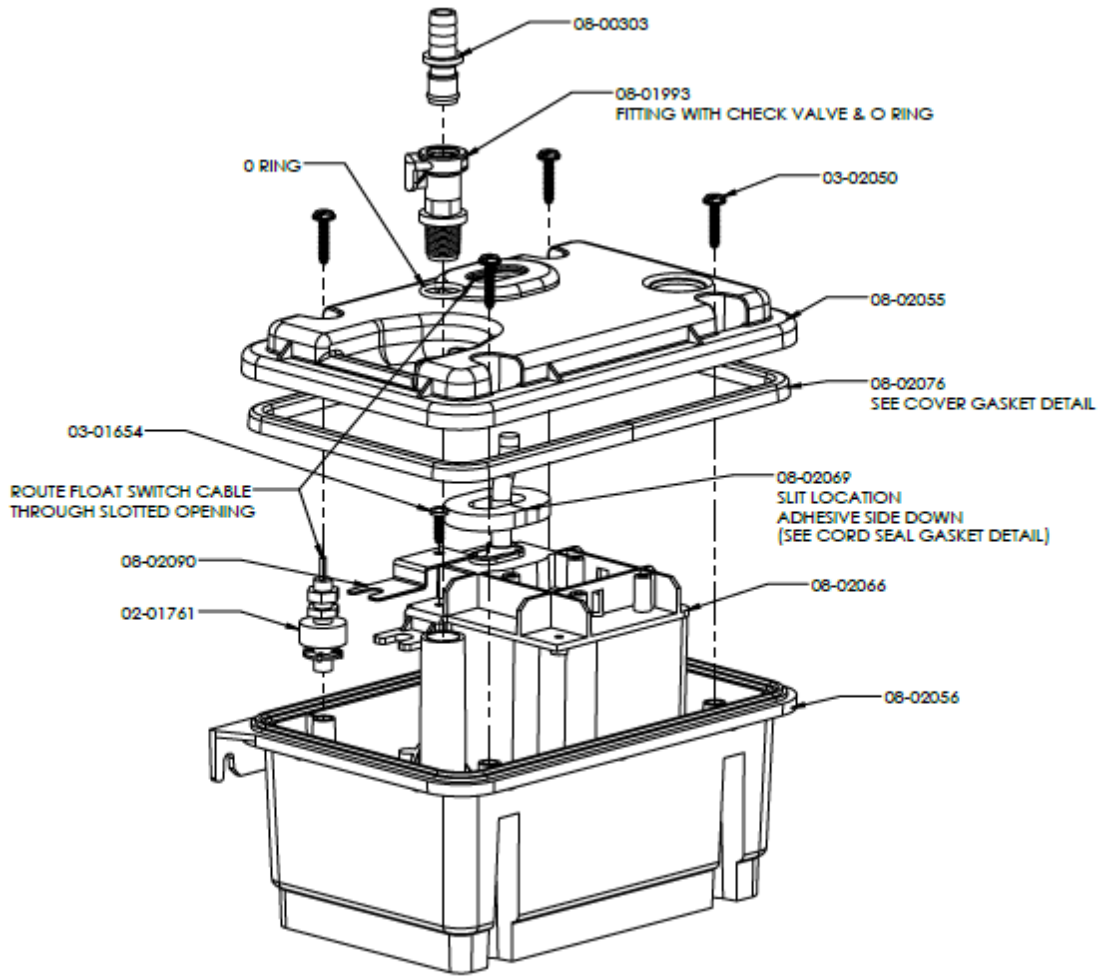
HOSE DETAIL

PART NO.	QTY	DESCRIPTION
03-00471	1	CLAMP – HOSE 3/8 DIA SPRING BLK
08-00302	1	FITTING – QUICK DISCONNECT BODY 1/4 BARB
15-00195	1	TUBE – 1/4 ID X 3/8 OD X 40FT VINYL (SOLD ONLY IN 40FT ROLLS)

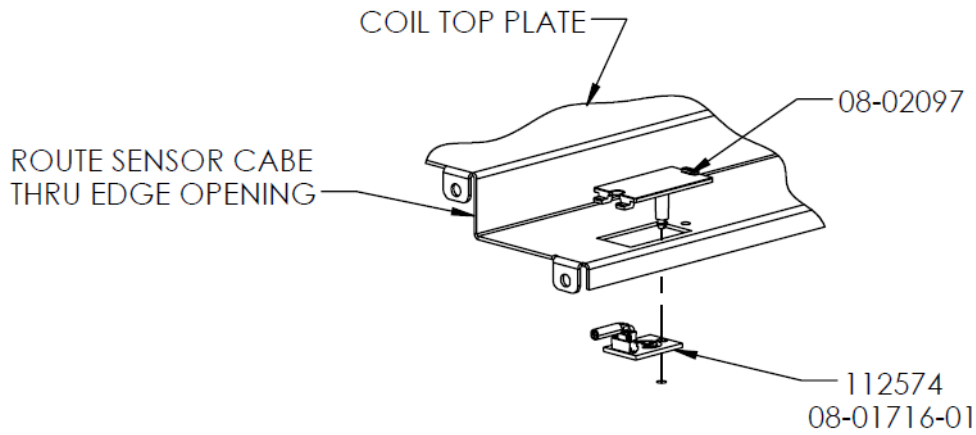


115V COMPRESSOR ASSEMBLY

PART NO.	QTY	DESCRIPTION
02-01622	1	CORD SET – COMPRESSOR (NOT SHOWN)
03-00506	3	WASHER - .375 USS .438 ID X 1.00 OD X .083 THK ZP
03-01336	3	BOLT – SHOULDER 5/16-18 X 3/8 X 1.25
08-00240	1	NUT – TERMINAL COVER HH
08-00241	1	WASHER – GASKET 7/32 ID X 9/16 OD RBR
08-00242	1	SPRING – 1-1/16 OD X 1/2 H
08-00243	1	GASKET – TERMINAL CVR 2-5/16 X 3-9/16 X .036
08-00244	1	COVER – TERMINAL 3-1/4 X 2 X 1-5/8 PLASTIC
08-00248	3	GROMMET - .375 ID X 1.50 OD RBR BLACK
08-00784	41"	INSULATION – CORK TAPE
08-02073	1	COMPRESSOR – ROTARY 115V 8500 BTU R410A PANASONIC
08-02074	1	COMPRESSOR OVERLOAD – 115V WITH WIRE LEAD LGR 6000Li

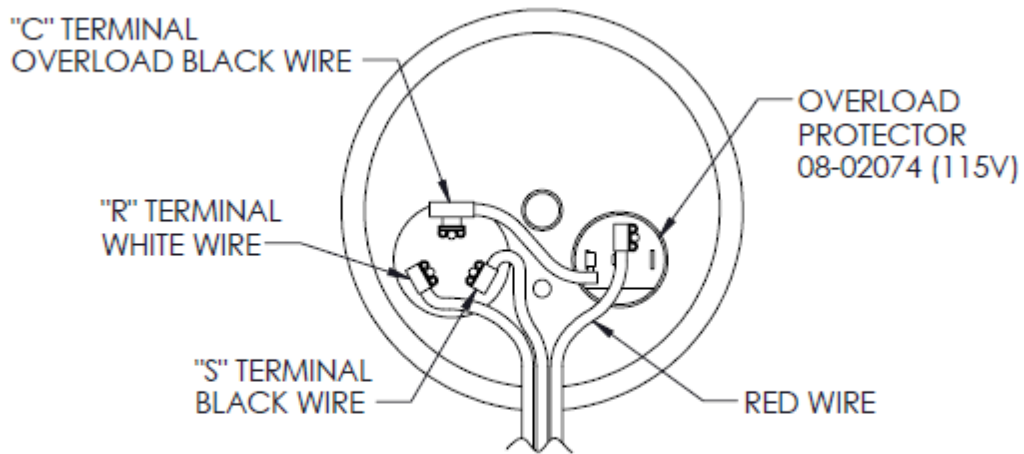


PART NO.	QTY	DESCRIPTION
02-01761	1	SWITCH – SPLIT MAGNETIC FLOAT
03-01654	1	SCREW - #6 X 1/2 AB PHP SS
03-02050	4	SCREW - #6 X 3/4 SLT HWH SS
08-00303	1	FITTING – QUICK DISCONNECT INSERT 3/8 BARB
08-01993	1	FITTING – QUICK DISCONNECT BODY CONDENSATE PUMP
08-02055	1	COVER – TANK SUBMERSIBLE PUMP
08-02056	1	TANK – SUBMERSIBLE PUMP
08-02066	1	PUMP – SUBMERSIBLE 115V 1.3 GPM 5FT CORD
08-02069	1	GASKET – CORD SEAL EPDM PSA
08-02076	1	GASKET – PUMP COVER SEAL EPDM
08-02090	1	BRACKET – PUMP FLOAT SWITCH LGR 6000Li

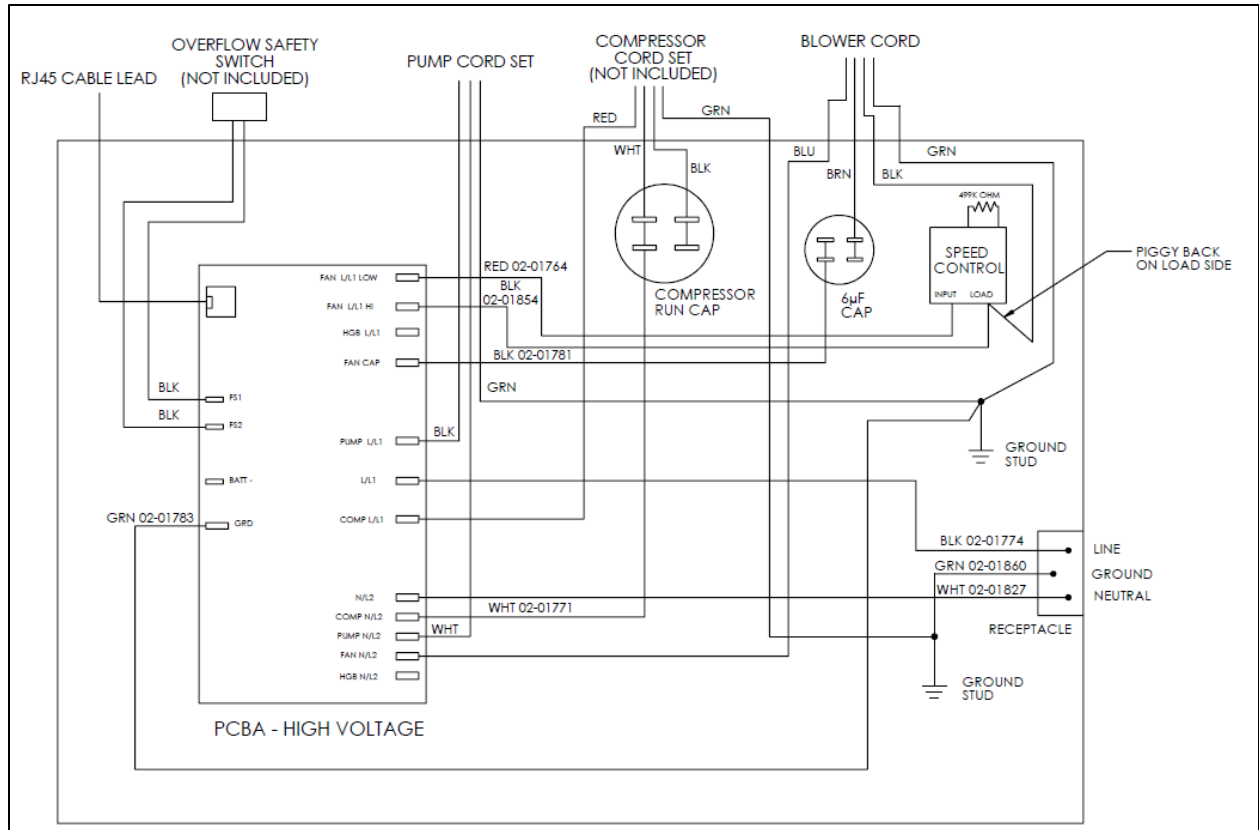


TEMP RH SENSOR DETAIL (NTS)

PART NO.	QTY	DESCRIPTION
08-01716-01	1	SENSOR ASSEMBLY – TEMP/RH CABLE (FIRMWARE 3.17 OR EARLIER)
112574	1	SENSOR ASSY - TEMP/RH SHT31 36" (FIRMWARE 3.18 OR LATER)
08-02097	1	PLATE – MOUNTING TEMP RH SENSOR NYLON



COMPRESSOR WIRING DETAIL



WIRING SCHEMATIC – LGR 6000Li 115V